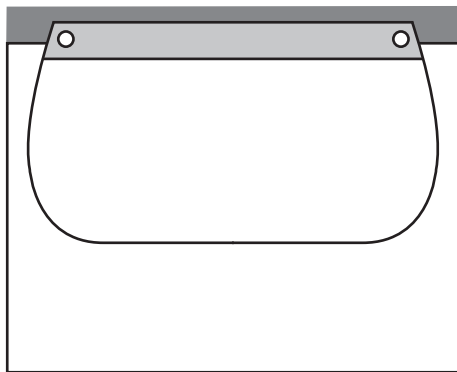
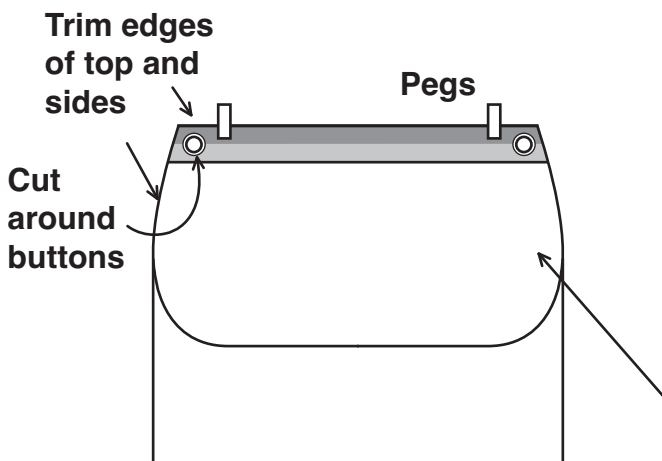
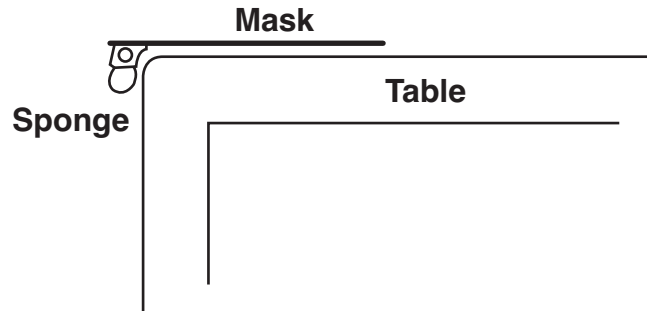


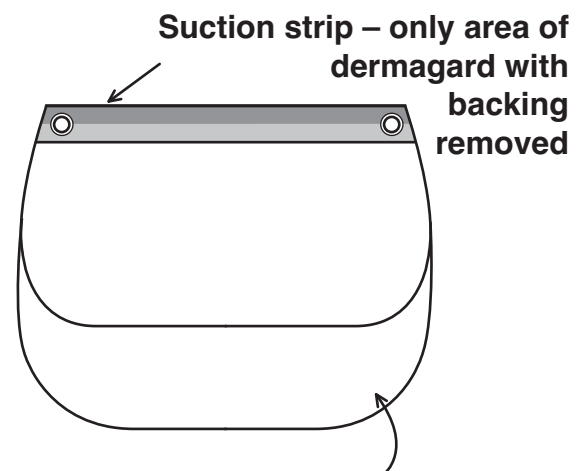
Remove strip of backing from dermagard – stick onto headband



Place inner sponge of headband over side of table so mask lies flush with table – easier to squeegee



Gently dry excess damp between visor and dermagard but be careful not to prise apart. Can wipe again after suction complete – always do gently.



After 48 hours round off bottom edges.